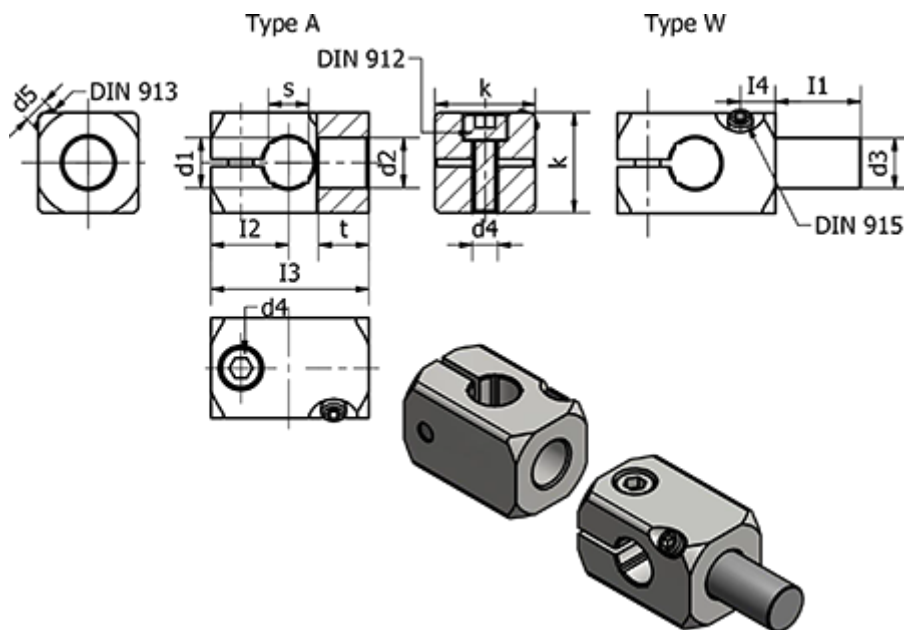


Article number: 20476B8B8AMT

Description: E+G T-clamp mounting - GN 476-B8-B8-A-MT

## Measures



|                                    |      |            |       |
|------------------------------------|------|------------|-------|
| Clamping kit for d4 = GN 511-M4-16 | l3   | = 26       |       |
| d1                                 | = 8  | l4         | = 5.5 |
| d2                                 | = 8  | k          | = 16  |
| d3                                 | =    | s          | =     |
| d4                                 | = M4 | t          | = 8   |
| d5                                 | = M4 | Weight (g) | = 20  |
| l1                                 | = 16 |            |       |
| l2                                 | = 13 |            |       |